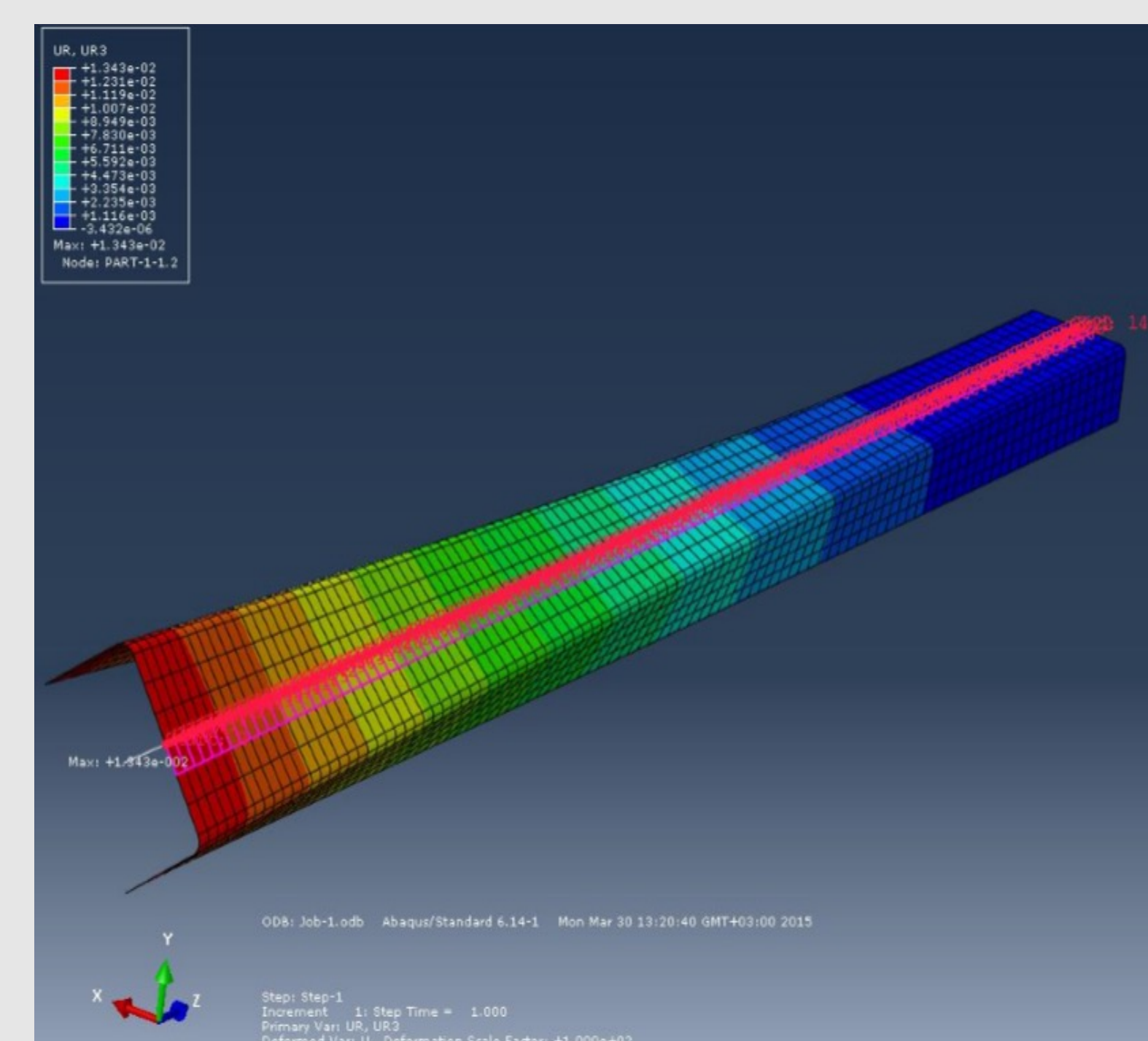
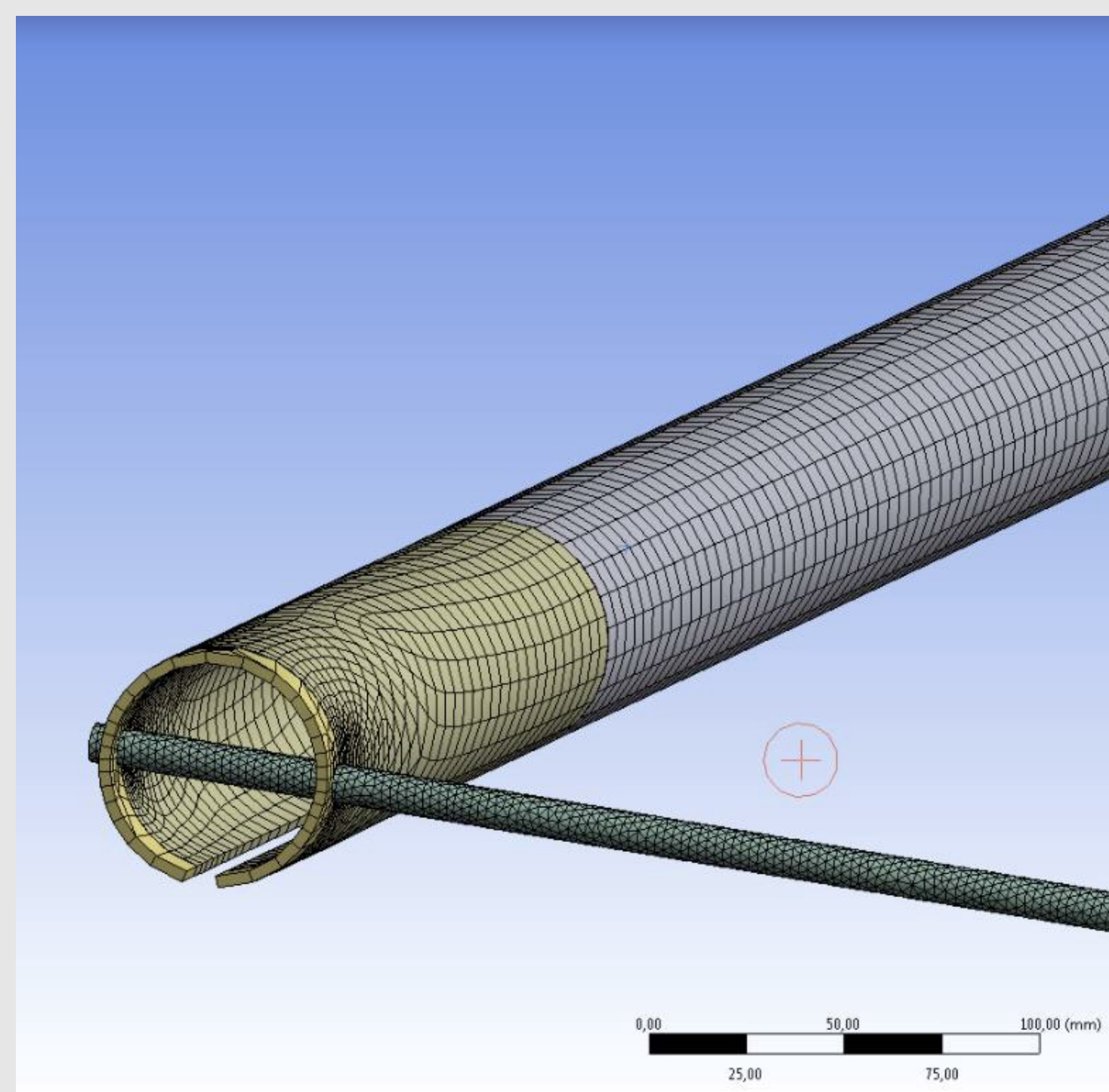


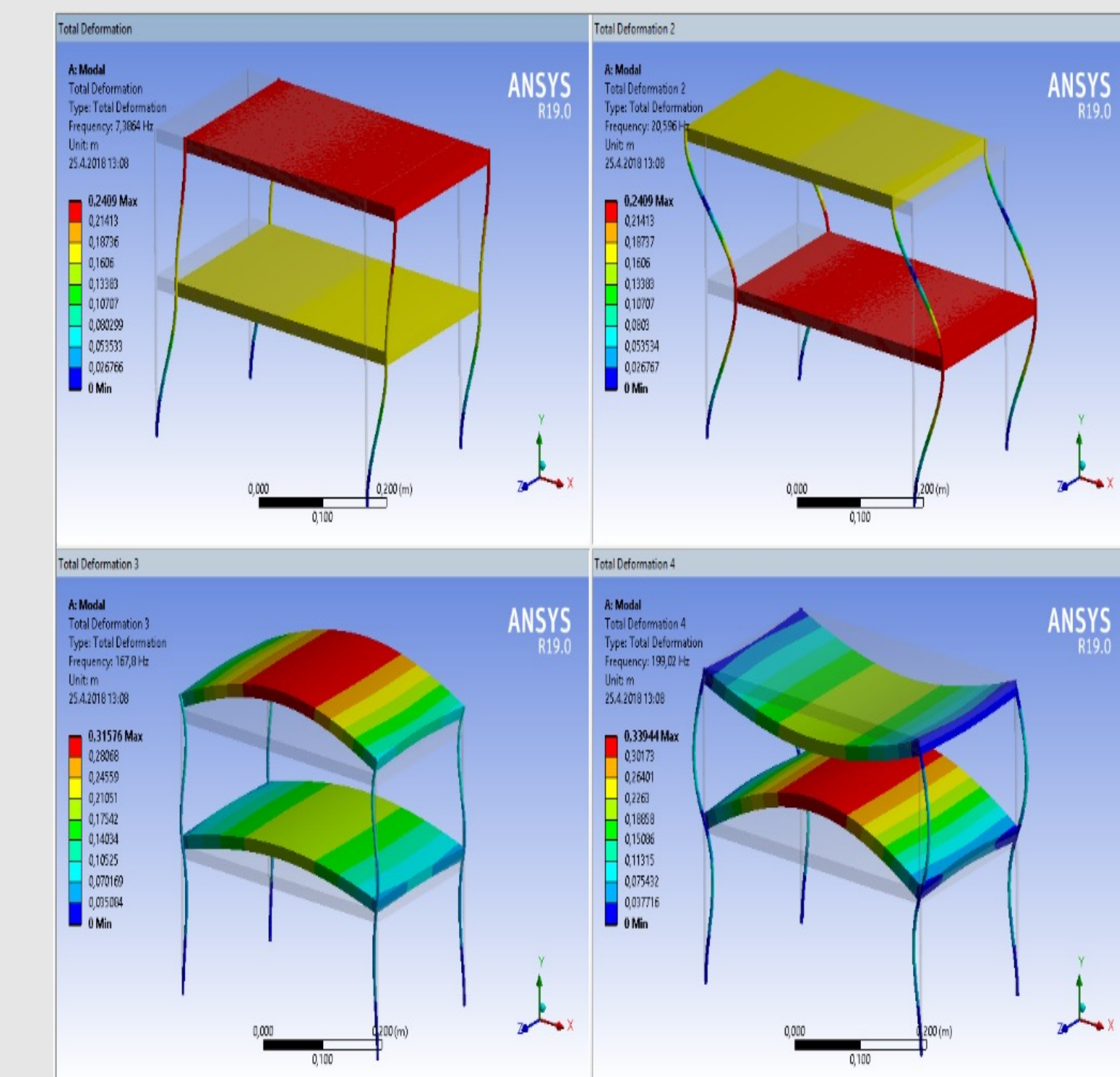
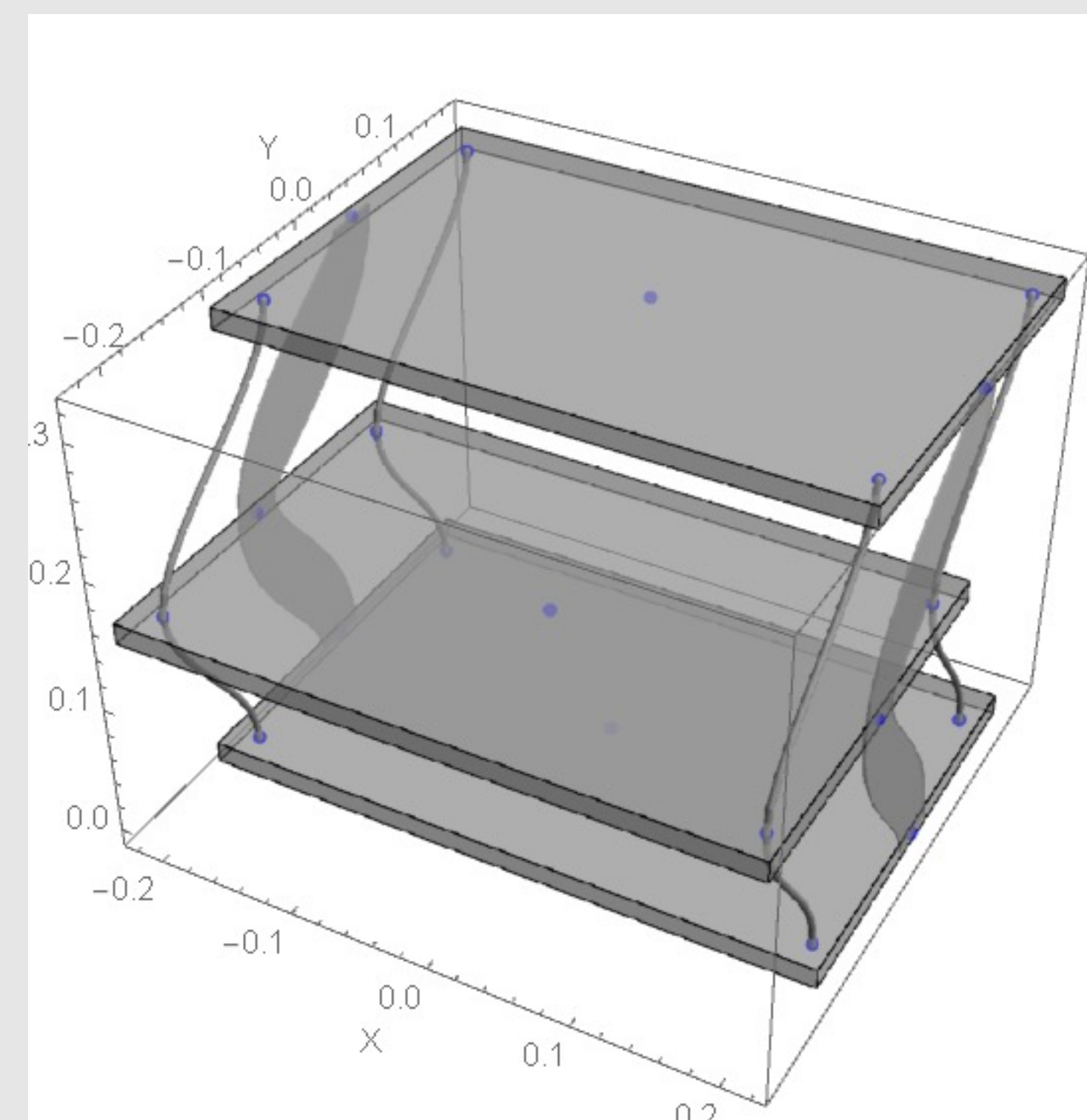
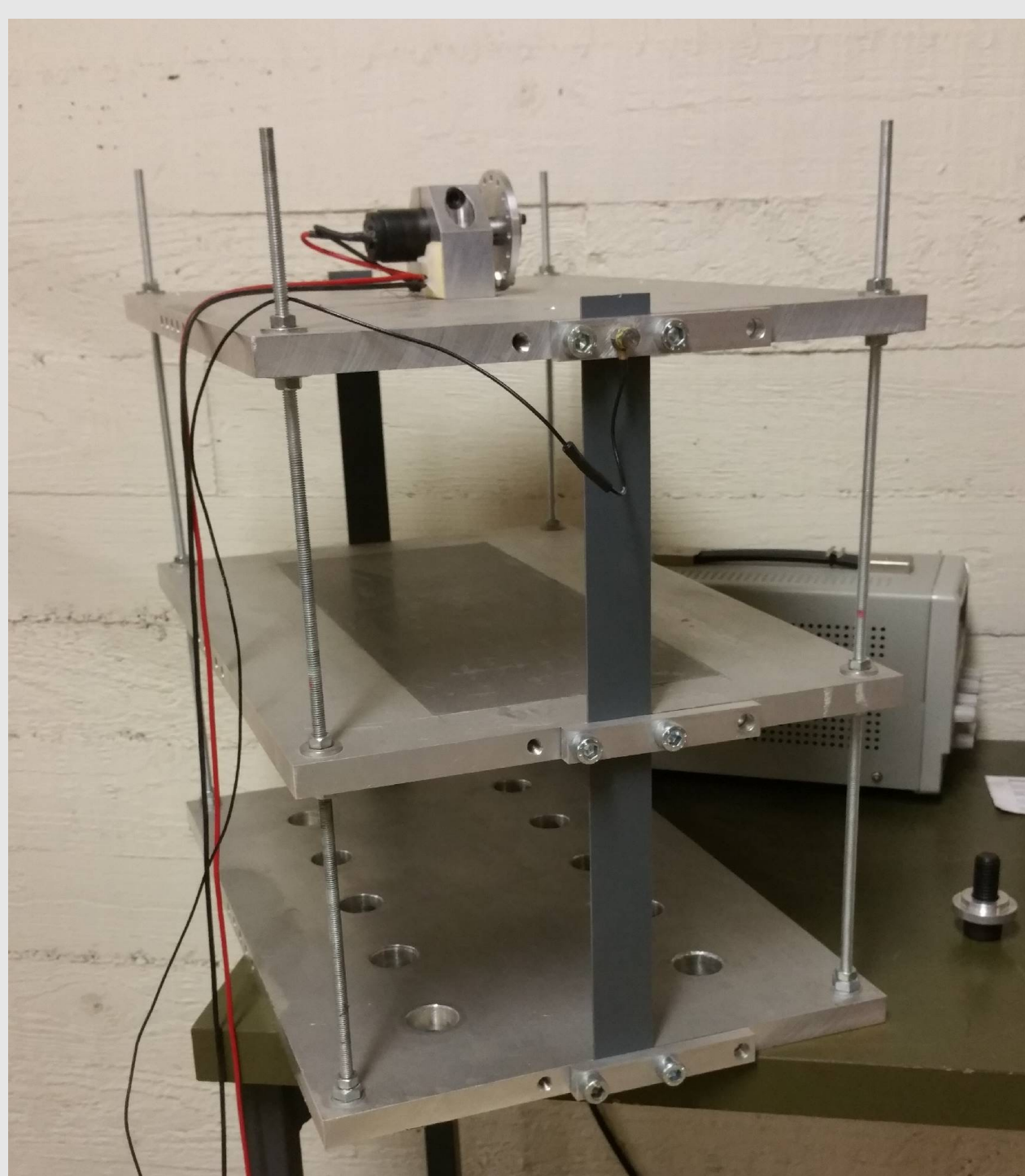
MEC-E1005 MODELLING IN APPLIED MECHANICS (5:th period, 5sp)

“Learn theory, practice, and use of modelling software seamlessly at the same time”

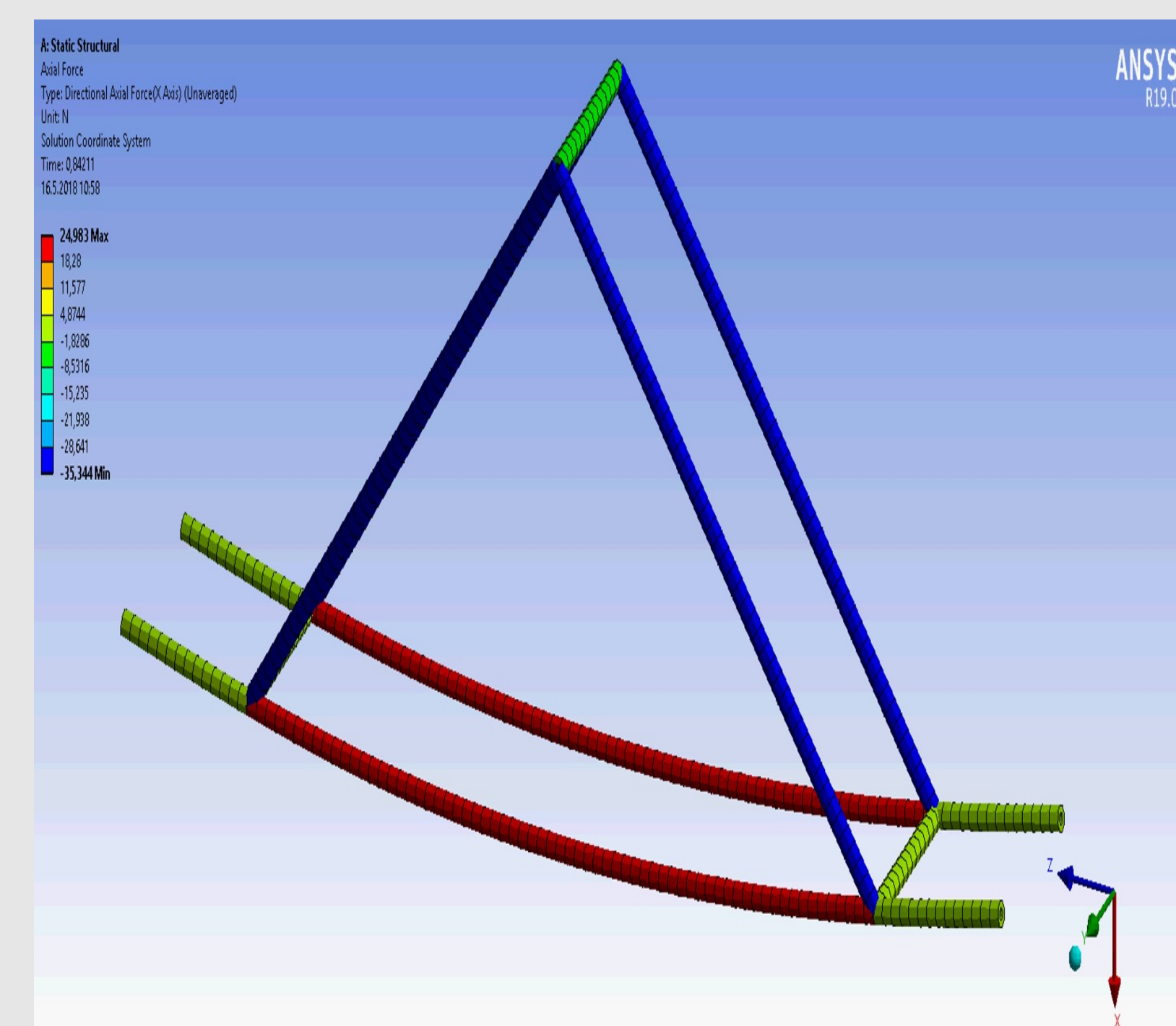
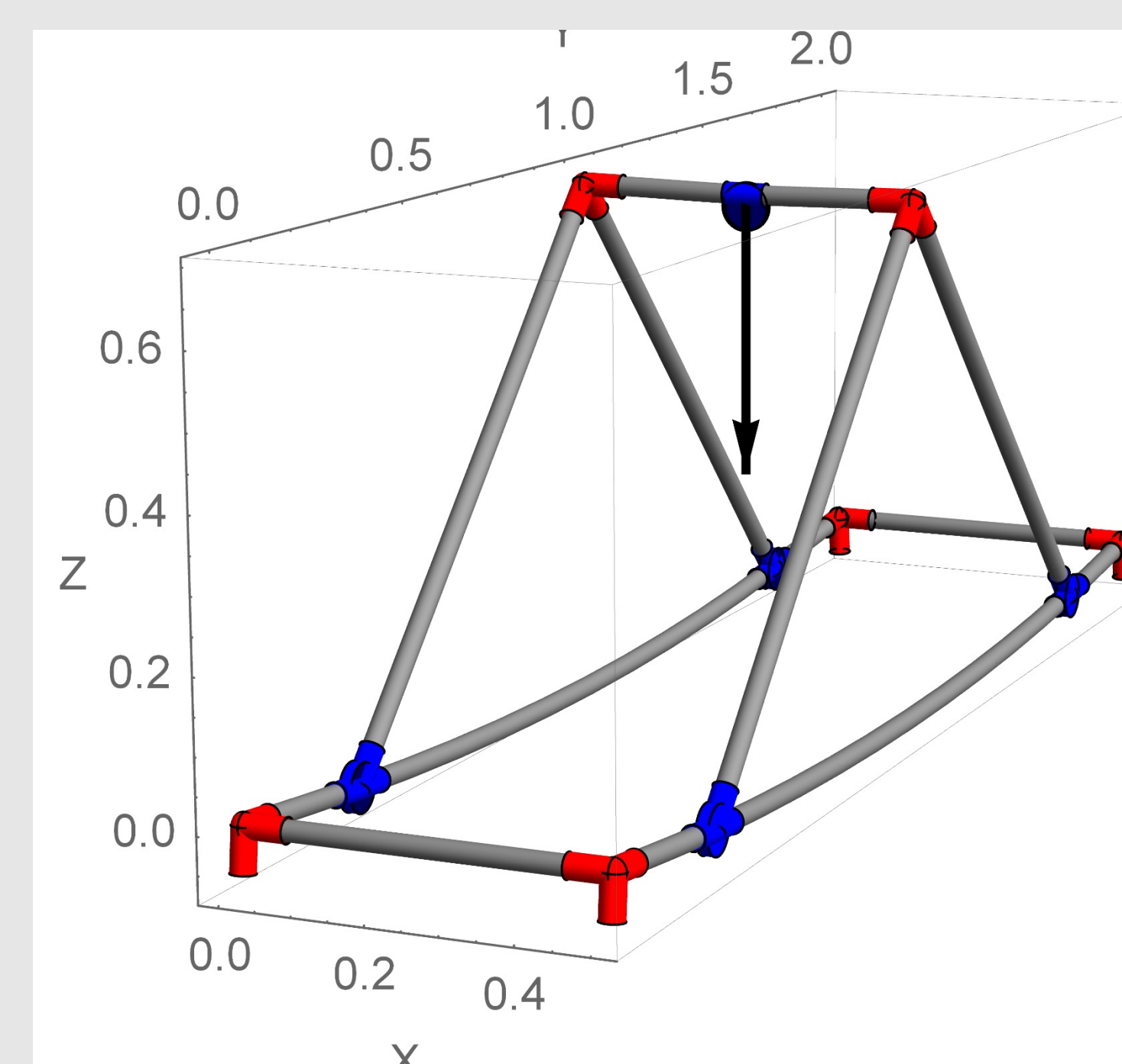
Find the torsion rigidity of a thin walled open cantilever...



Find the vibration frequencies of a toy building...



Improve the baseline construction of a toy bridge...



...and write a report.