



PACK-AGE

**ArtiosCAD secondary
packaging and displays**

Sanna Palmu

15.11.2023

Esko ID

The screenshot displays the Esko ID website interface. At the top right, there is a navigation bar with the following elements: "Language: English", "Welcome Sanna", "Cart(0)", and a search icon. Below this, the "ESKO" logo is followed by a series of dropdown menus: "for Print Service Providers", "for Brands", "Company", "Support", "Contact", and "Store".

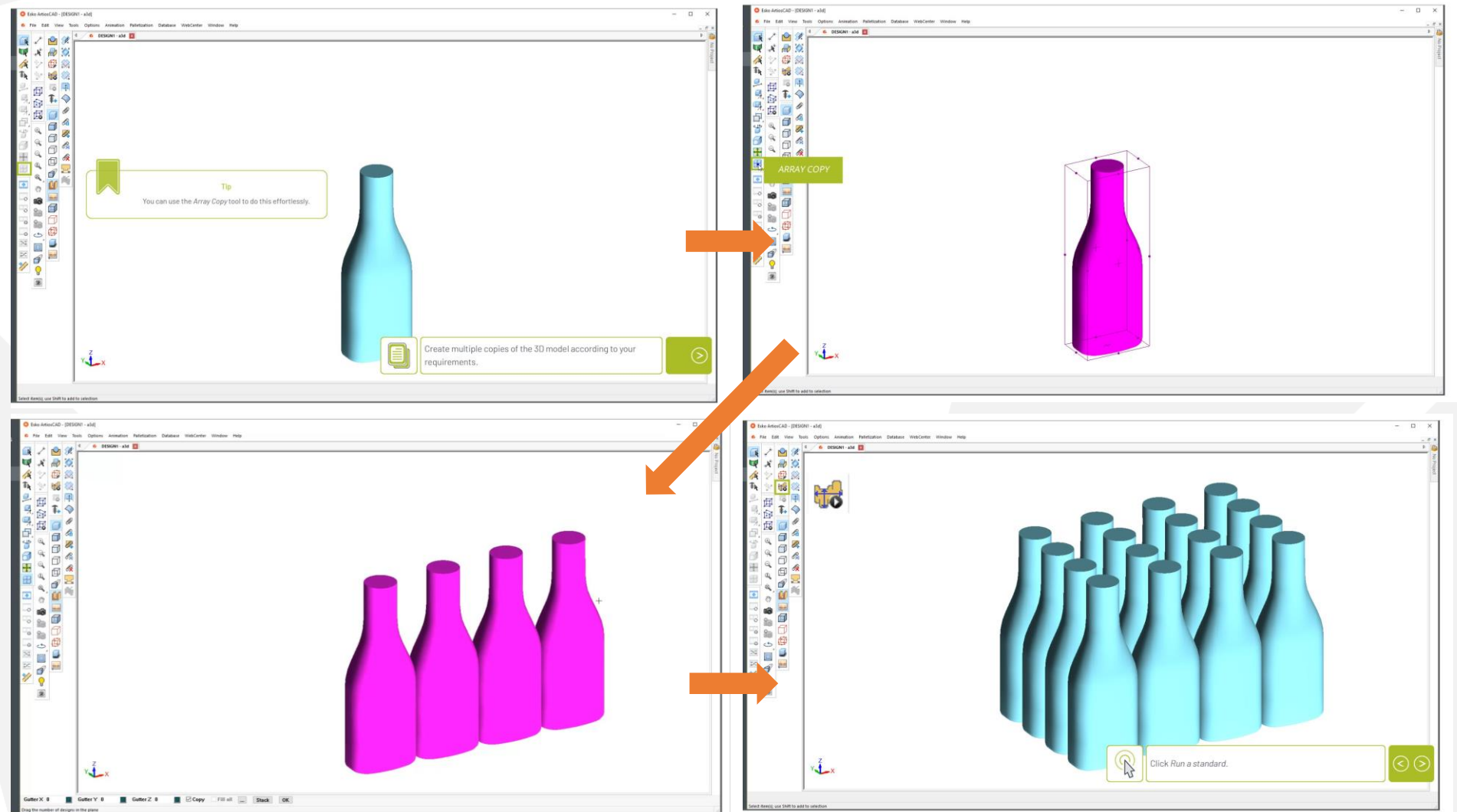
The main content area is divided into four columns:

- Get Help:** Esko Help Center, Register a Support Case, Contact Esko Support.
- Help & Learning:** eLearning, Product Documentation, Training, Articles, System Requirements.
- Download and Install:** Trial Software, Free Software, Mobile Apps, My Software and Hotfixes, My Subscriptions, My Licenses, Software Activation.
- Services:** Financing, Hardware Care Plans, Software Care Plans, Solution Services.

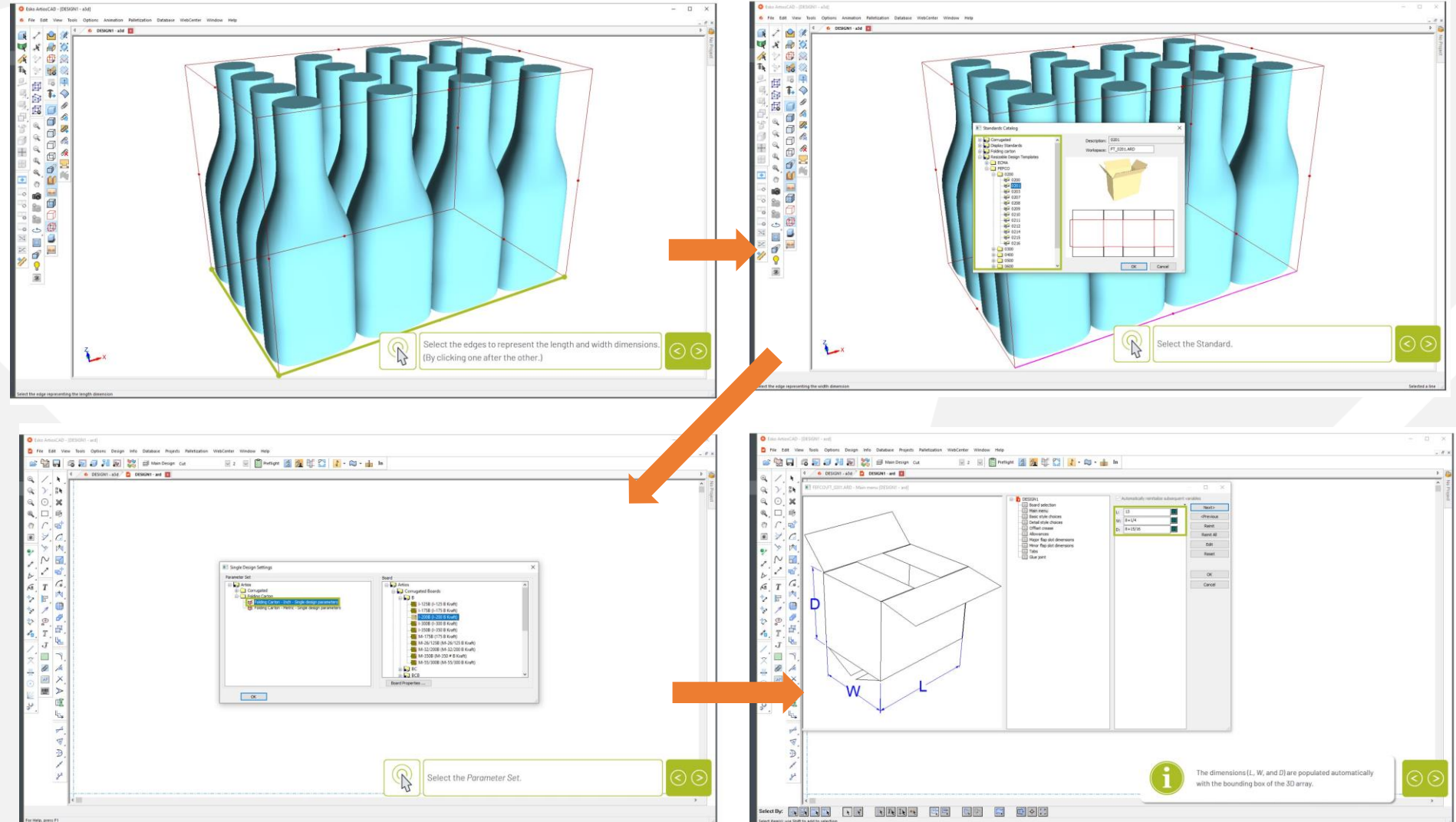
Below the navigation menus, there are two featured sections:

- Consumables Orders:** Includes a button labeled "View Invoices".
- Subscription Orders:** Includes a button labeled "Upgrade - Cancel - Edit information".

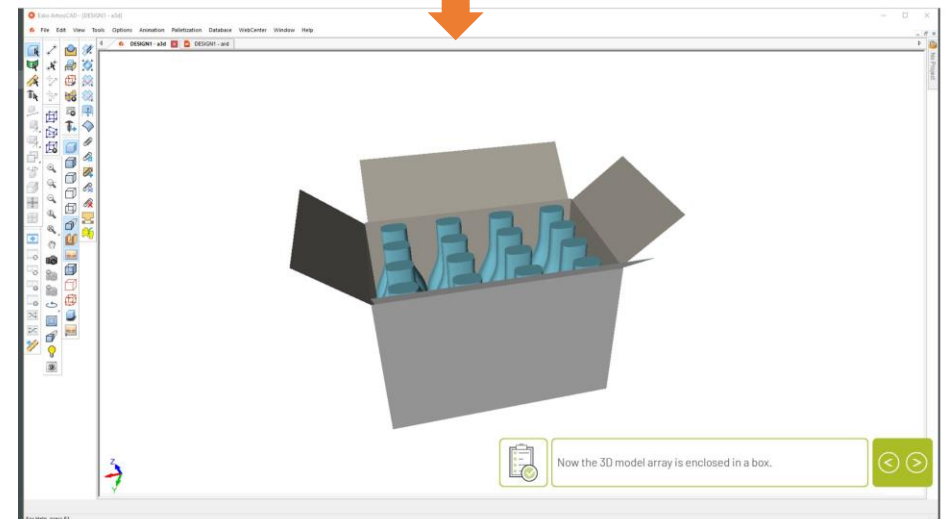
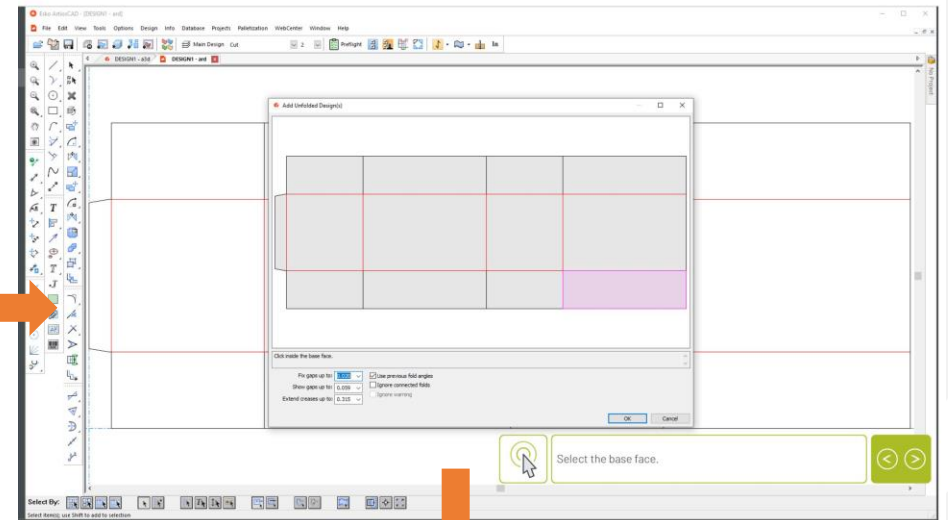
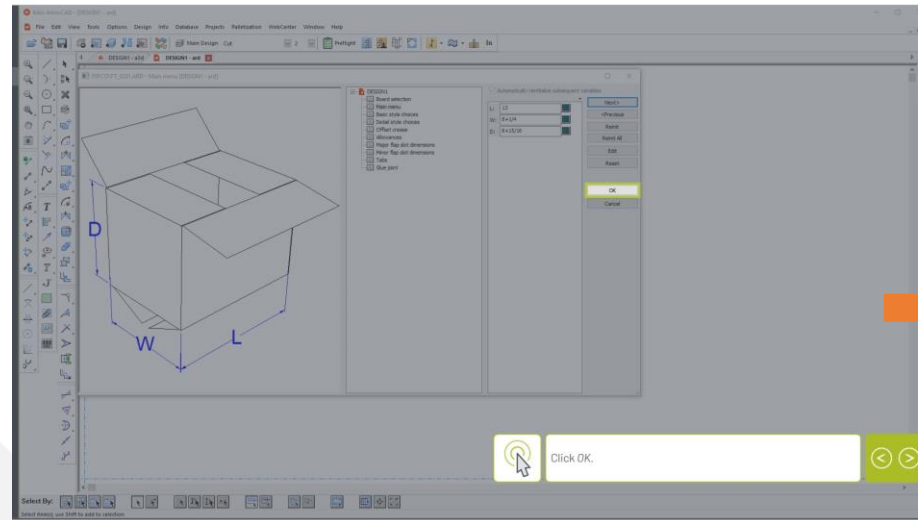
Secondary packaging in 3D



Secondary packaging in 3D



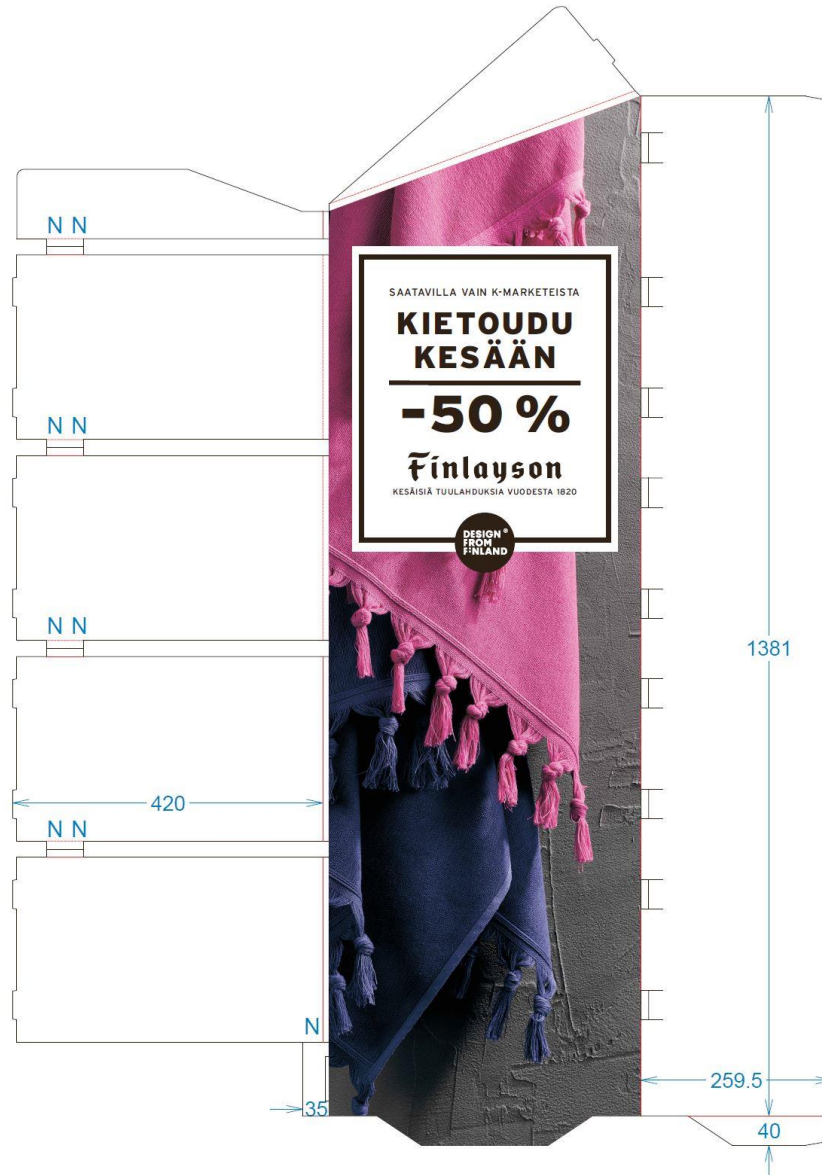
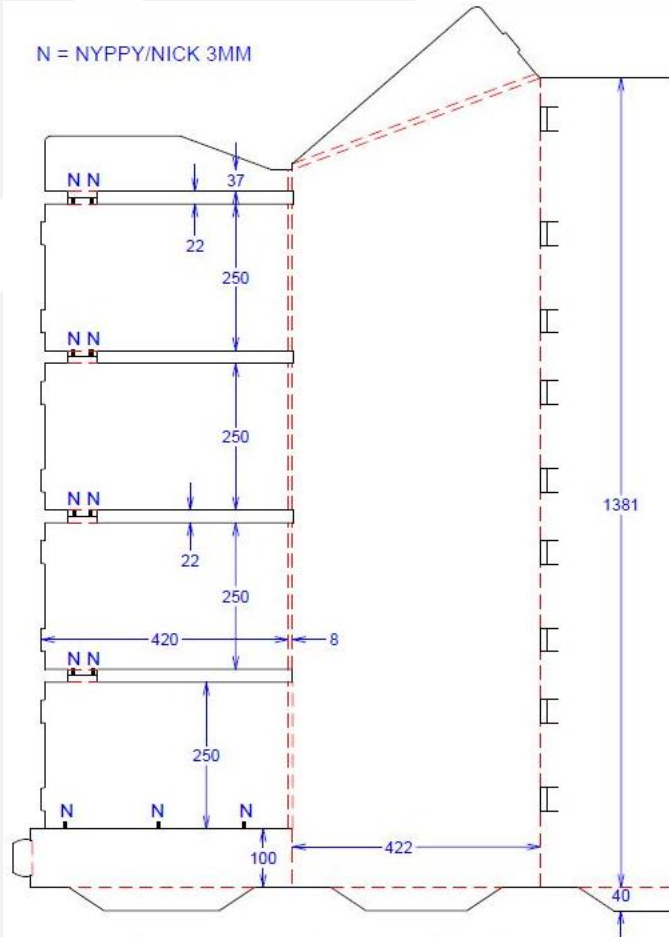
Secondary packaging in 3D



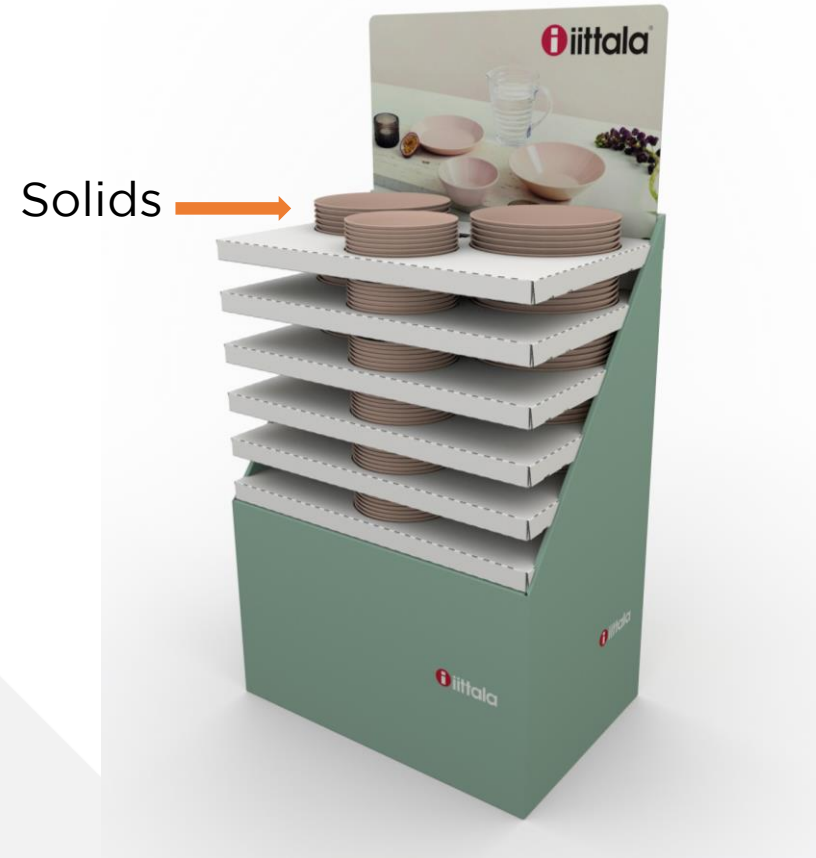
Displays

N = NYPPY/NICK 3MM

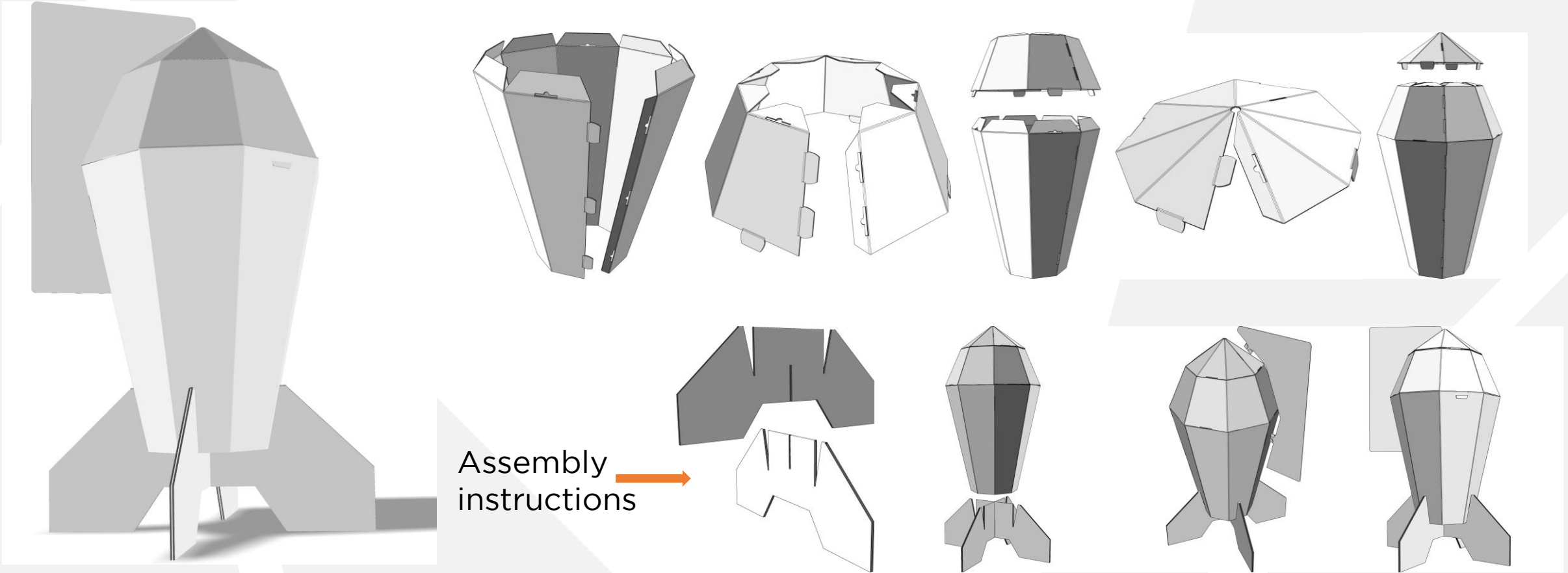
N = NYPPY/NICK 3MM



Good to about ArtiosCad 3D

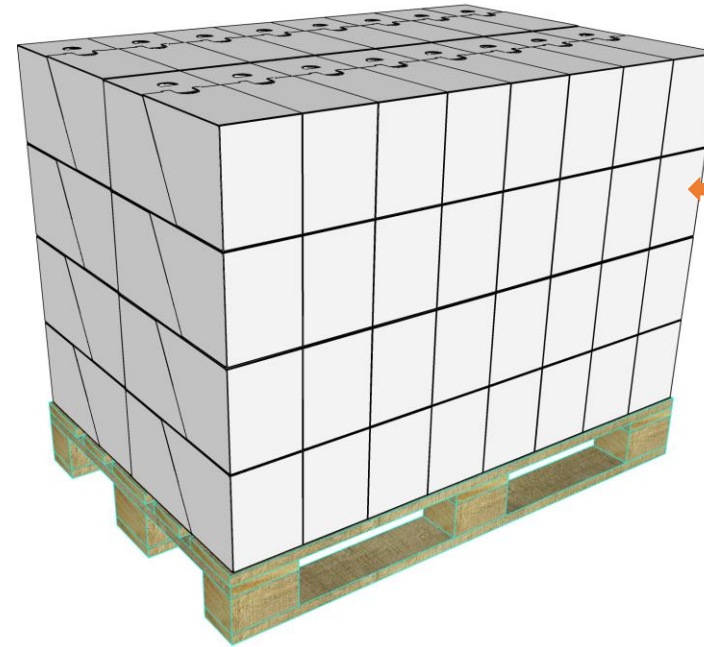
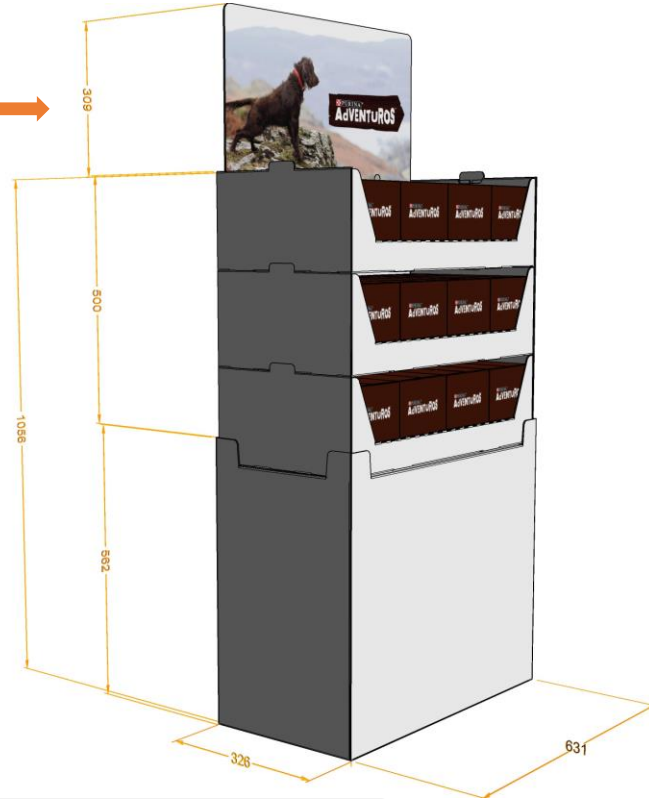


Good to about ArtiosCad 3D



Good to about ArtiosCad 3D

Measurements →



← Palletising

Thank you.