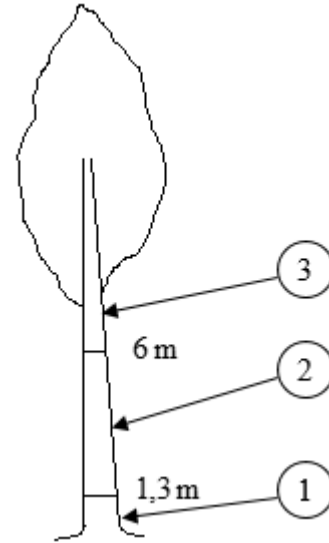
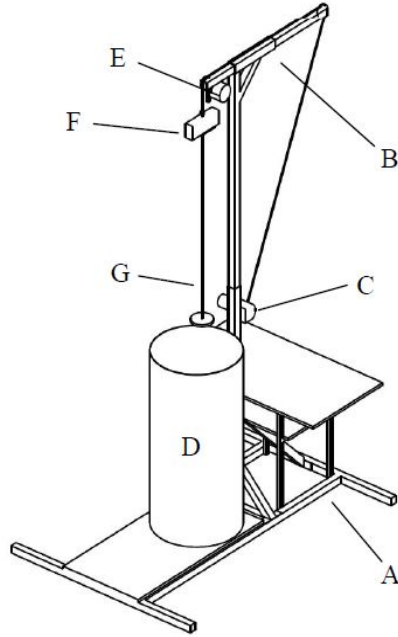


Dimensiometer

Development of a tree volume measuring instrument



v

$$= 0,268621d^2 - 0,0000478628d^3h + 0,000334101d^2h^2 + 0,0973148(d^2 + dd_6 + d_6^2)$$